

INTRODUCTION:

Adam Tech RS Series .100" pitch Receptacle Strips are a series of sockets offered in a multitude of sizes and profiles designed to satisfy most .100" pitch socket requirements. Available in Single, Dual and Triple row, they are offered in Straight, Right Angle, SMT, Bottom Entry and Pass Through PCB mounting styles. Each type has a specially designed contact system which uses a wiping mating action and produces a high normal force connection with gold, tin or selective gold plating. All are available with Standard or Hi-Temp Thermoplastic insulators. Our SMT offering is available with optional pick and place pads and tape & reel packaging.

FEATURES:

- Broad range of sizes and profiles
- Contact systems with high normal force
- Choice of contact plating
- SMT pick & place option
- Optional Tape & reel packaging

MATING CONNECTORS:

Adam Tech PH series .100" pitch pin headers and all industry standard pin headers with a .025" (0.64mm) square pin.

SPECIFICATIONS:

Material:

Insulator: PBT, glass reinforced, rated UL94V-0
Optional Hi-Temp insulator: Nylon 6T, rated UL94V-0
Insulator Color: Black
Contacts: Phosphor Bronze

Contact Plating:

G = Gold flash (30u" optional) over nickel underplate overall
SG = Gold flash (30u" optional) over nickel underplate on contact area, tin over copper underplate on tails.
T = Tin over copper underplate overall

Electrical:

Operating voltage: 250V AC max.
Current rating: 3 Amps max.
Contact resistance: 20 mΩ max. initial
Insulation resistance: 5000 MΩ min.
Dielectric withstanding voltage: 1000V AC for 1 minute

Mechanical:

Insertion force: 0.375 lbs per contact max.
Withdrawal force: 0.125 lbs per contact min.

Temperature Rating:

Operating temperature: -40°C to +105°C

PACKAGING:

Anti-ESD plastic trays
(Tape and Reel optional for SMT option)

SAFETY AGENCY APPROVALS:

UL Recognized & CSA Certified,
File no. E224053

HI-TEMP
INSULATOR
AVAILABLE



ORDERING INFORMATION

RS1

12

G

SERIES INDICATOR

- RS1** = Single row vertical mount receptacle
- RS1R** = Single row right angle mount receptacle
- RS2** = Dual row vertical mount receptacle
- RS2R** = Dual row right angle mount receptacle
- RSB** = Dual row straight PCB mount with polarization bump and keyed corner contacts
- RSBR** = Dual row right angle PCB mount with polarization bump and keyed corner contacts
- RSE1** = Single row elevated receptacle
- RSE2** = Dual row elevated receptacle
- RSM1** = Single row surface mount
- RSM2** = Dual row surface mount

PLATING

- G** = Gold plated
- T** = Tin plated
- SG** = Gold plating in contact area, Tin Plated solder tails

POSITIONS

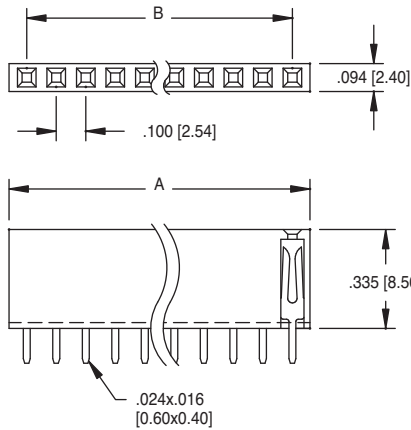
- Single row:** 1 thru 40
- Dual row:** 2 thru 80

OPTIONS:

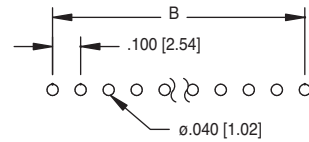
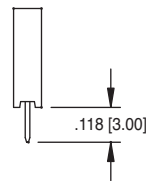
- Add designator(s) to end of part number
- SMT** = SMT Dual row with Hi-Temp insulator
- SMT-A** = SMT Single Row Type A with Hi-Temp insulator
- SMT-B** = SMT Single Row Type B with Hi-Temp insulator
- 30** = 30 μin gold plating in contact area
- P** = Optional guide peg on SMT version
- HT** = Hi-Temp insulator for Hi-Temp soldering processes up to 260°C (Add this option for thru-hole products only. All SMT products are manufactured with Hi-Temp insulators)

Ordering Information pg. 306

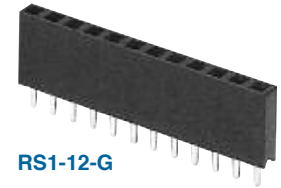
RS1



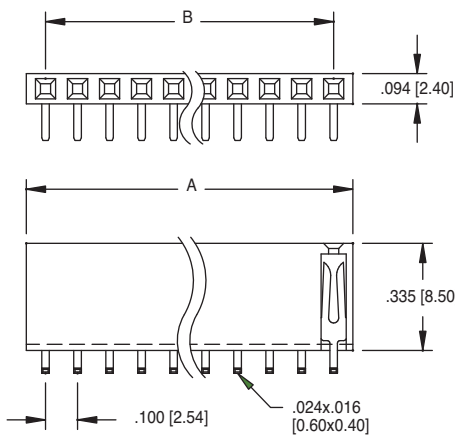
A = .100 [2.54] X No. of Positions +.020 [0.50]
 B = .100 [2.54] X No. of Spaces



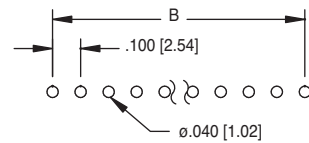
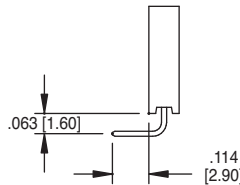
Recommended PCB Layout



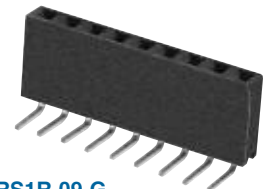
RS1-12-G



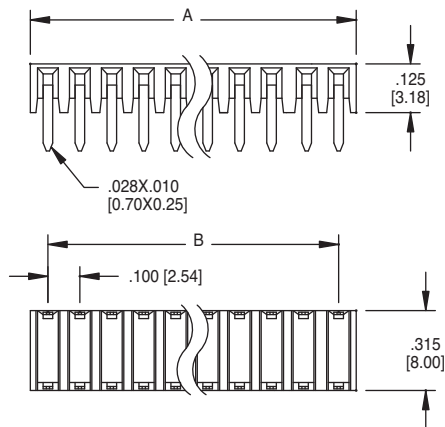
A = .100 [2.54] X No. of Positions +.020 [0.50]
 B = .100 [2.54] X No. of Spaces



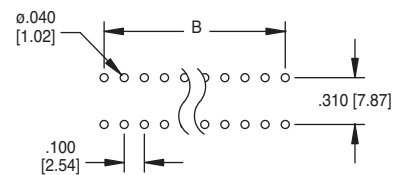
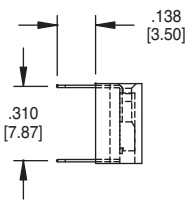
Recommended PCB Layout



RS1R-09-G



A = .100 [2.54] X No. of Positions
 B = .100 [2.54] X No. of Spaces



Recommended PCB Layout



RS1BR-13-G